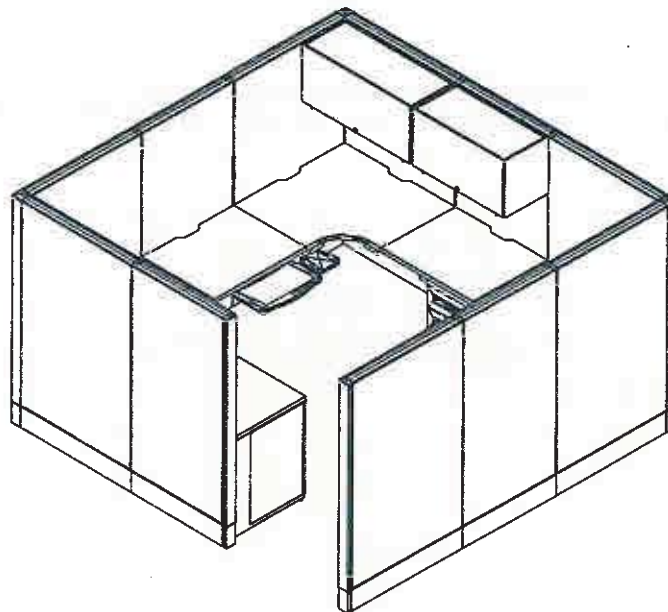
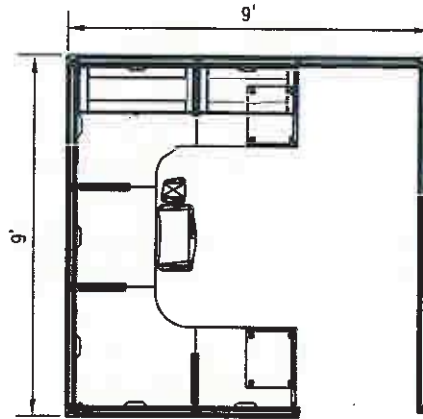


**CUSTOMS BORDER PATROL  
PREMISE 9x9  
PREMISE**



project : CUSTOMS BORDER PATROL  
type : PREMISE 9x9  
system : PREMISE  
plan scale : X/X" = 1'-0"  
drawing no. : CBP Premise 9x9 F.dwg  
date drawn : 11/10/2006  
drawn by : RS

**A | 01**  
SHEET | REVISION